

## STEP

---

### First Use

1. Clean the raw water tank and the pure water pot.
  2. Fill up the raw water tank but not beyond the maximum line.
  3. Make sure the raw water tank and the pure water pot are placed into right position.
  4. Press the flush button to fill and flush the filter by two to three tanks of water.  
**DO NOT USE FIRST TANK OF WATER**
  5. Flush the filters again if long time no use.
- 

### Notice

1. For first time use, you may see activated carbon fines in the water which is normal.
  2. After flush, TDS data should be around forty. When data goes far beyond forty, please flush the filter again (usually two to five times).
  3. If your machine has not been used for a long time, please repeat above operation before using it again.
- 

### Water Purification

1. Fill up water tank and press the flush button to start.
2. Five to seven minutes needed before water purification process completed depending on different water quality.
3. You can push the flush button to stop or continue water process any time you want.
4. The machine will stand by automatically five minutes after water processing finished.

## STEP

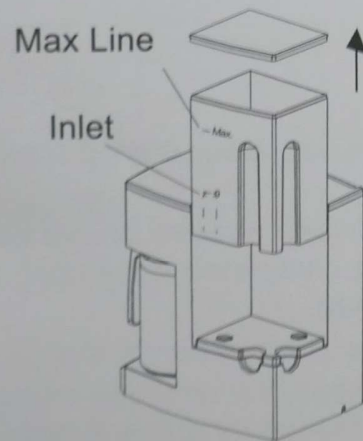
---

### Waste Water

1. The water left in the tank after pure water made is concentrated and is not drinkable.
  2. The water tank is designed to be taken out after every filtering for water renew.
  3. The waste water could be used for mopping floor, watering flowers, etc.
- 

### Possible Failure Circumstances

1. Water level is lower than the inlet or higher than the maximum line.
2. The pure water pot is displaced.
3. The raw water tank is not well placed.
4. Power has not been plugged in well.
5. Waste water has not been renewed.



## SCREEN

---

### Raw Water Tank Light

On: Water production  
Off: Water exhausted  
Flash: Box missing or lack of water

---

### Pure Water Pot Light

On: Pot missing  
Flash: Pot displaced

---

### Filter Life Detection

No.: Filter stages  
Blocks: Filter life consumed  
Flash: Time to replace filter

---

### In/Out TDS Display

TDS, total dissolved solids, mg/L  
TDS, the lower, the better  
(Applies to both TDS and WiFi version)

## STEP

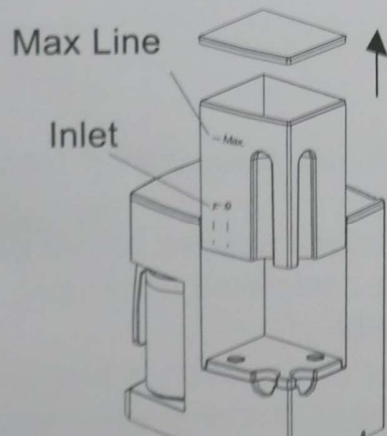
---

### Waste Water

1. The water left in the tank after pure water made is concentrated and is not drinkable.
  2. The water tank is designed to be taken out after every filtering for water renew.
  3. The waste water could be used for mopping floor, watering flowers, etc.
- 

### Possible Failure Circumstances

1. Water level is lower than the inlet or higher than the maximum line.
2. The pure water pot is displaced.
3. The raw water tank is not well placed.
4. Power has not been plugged in well.
5. Waste water has not been renewed.



## SCREEN

---

### Raw Water Tank Light

On: Water production  
Off: Water exhausted  
Flash: Box missing or lack of water

---

### Pure Water Pot Light

On: Pot missing  
Flash: Pot displaced

---

### Filter Life Detection

No.: Filter stages  
Blocks: Filter life consumed  
Flash: Time to replace filter

---

### In/Out TDS Display

TDS, total dissolved solids, mg/L  
TDS, the lower, the better  
(Applies to both TDS and WiFi version)