

INSTALLATION GUIDE

Model: MK99



LEAD&CHLORINE

Complies with NSF/ANSI 42 & 53 tested for safety, structural integrity, Chlorine, Tasteless Class 1, Lead and Cyst remove.



FILTRATION UNIT

UNIDAD DE FILTRACIÓN

UNIDAD DE FILTRACIÓN

MK99

Frizzlife®

ESPECIFICAÇÕES

O filtro de sedimentos e o filtro combedido de carbono ativado são colocados juntos. Reduzir o chumbo, cloro, odor e partículas como areia, óleo e dejetos de água. Parâmetros de trabalho: 30psi Max. temperatura 38 °C. Vida útil: 1-2 anos dependendo da qualidade da água. Redução de plomo: 100% Redução de cloro: 99%

ESPECIFICACIONES

Se colocan juntos el filtro de sedimentos y el filtro combinado de carbón activado. Reduce el plomo, el cloro, el olor y las partículas como la arena, el aceite y el desecho del agua. Parámetros de trabajo: Max. temperatura 38 °C. Vida útil: 1-2 años dependiendo de la calidad del agua. Reducción de plomo: 100% Reducción de cloro: 99%

SPECIFICATIONS

Sediment and block carbon combined filter in one. Reduces lead, chlorine, odor and particles such as sand, oil and rust from the water. Operating parameters: Max. working pressure: 30psi Max. temperature: 38°C.

Do not use with water that is microbiologically unsafe or of unknown quality without adequate disinfection before use.

CONTENT

1. BEFORE INSTALLATION	1
2. PRODUCT INTRODUCTION	2
3. SAMPLE CONNECTION	2
4. INSTALLATION TIPS	3
5. INSTALLATION STEPS	4
6. FILTER REPLACEMENT INSTRUCTION	5
7. HOOK UP TO YOUR REFRIGERATOR /ICE MAKER	5
8. TROUBLE SHOOTING	6
9. LIMITED PRODUCT WARRANTY	6

MMK99

Model: MK99

Certified by IAPMO R&T according to NSF/ANSI 42 &53 for material safety, Structural Integrity, Chlorine, Particulate Class I, Lead and Cyst remove.



Thank you for purchasing Frizzlife MK99 undersink water filter system with 0.5 micron composite carbon block filter. If you have any questions or need any assistance, please contact: support@frizzlife.com

• Find the installation video

Search "Frizzlife MK99 installation" on www.youtube.com



Installation Video

• Register to get 150% warranty

1. Email us your order ID and full name at support@frizzlife.com.
2. Scan the QR code to register.



• INSTALLATION INSTRUCTION

1. Before Installation

- Inspect Box

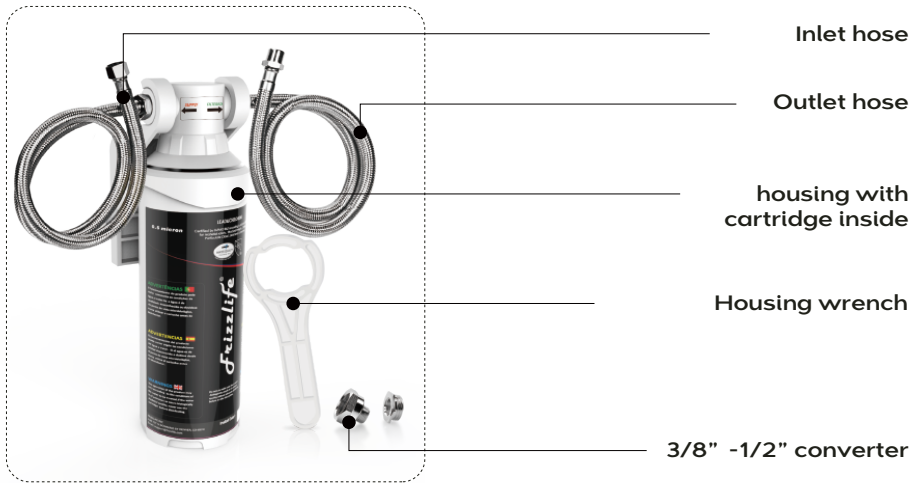
Open the box and take out the system and all the components. Inspect them carefully according to "Product Introduction" and make sure nothing is missing or damaged during shipping. If any parts are cracked or broken, please do not proceed with the installation and contact Frizzlife for an exchange or diagnosis.

• Technical Parameters

Model Name	MK99	Replacement Filter	FZ-2
Dimension	5 x 5 x 13.5 inches	Replacement Period	8-12 months
Flow Rate	2 Gallons Per Minute		
Applicable Water Source	Municipal Water		
Operating Temp.	Min.39°F, Max.100°F		
Working pressure	Min. 20 psi, Max. 80 psi		

Rated flow 2 gallons/m @25 C (77 F). Low water temperature will slow down water flow. Please contact us for reference at: support@frizzlife.com

2. PRODUCT INTRODUCTION

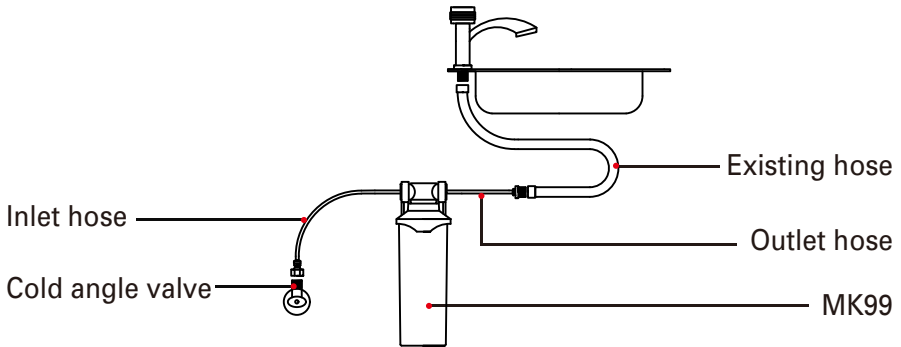


PRECAUTIONS ▼

1. Please flush water for 10 minutes before use.
2. The spent adsorption media will not be regenerated and used.
3. Systems certified for cyst reduction may be used on disinfected waters that may contain filterable cysts.
4. Do not use with water that is micro biologically unsafe or of unknown quality without adequate disinfection before or after the system.
5. Testing was performed under standard laboratory conditions, actual performance may vary.
6. For cold water use only.
7. This filter must be protected from freezing, which can cause cracking of the filter and water leakage.
8. Do not allow children under 3 years of age to have access to small parts during the installation of this product.
9. This installation must comply with all applicable state and local regulations.
10. Do not use this system on water containing greater than 10 mg/L nitrate nitrogen without pretreatment to remove the nitrate. The water supply must be analyzed for nitrate nitrogen and nitrite nitrogen before the installation of the system." Failure to observe these instructions could produce water that exceeds the drinking water standard for nitrate;
11. Do not use this system on water containing hardness greater than 50 mg/L (3 grains per gallon) without pretreatment to remove hardness.

Model: MK99

3. SAMPLE CONNECTION



NOTA

Mount the water filter at least 4 inch lower than the bottom of the basin for easier installation

4. INSTALLATION TIPS

- IF YOUR VALVE IS 1/2"

IF ANGLE VALVE OUTLET IS 3/8"



3/8" Comp (9/16" thread)

IF ANGLE VALVE OUTLET IS 1/2"



1/2" thread

CONNECT ONE PART OF THE CONVERTER TO THE ANGLE VALVE



5. INSTALLATION STEPS

STEP 1 : CONNECT THE FILTER SYSTEM



Mount bracket



Fasten screws



Load Rubber Oring



Load Rubber Oring



Connect inlet hose



Connect outlet hose



Mount filter head



Mount filter system

STEP 2 : CONNECT THE WATER SUPPLY (COLD WATER ONLY)



Shut off water supply



Remove original hose



Connect inlet hose



Connect outlet hose



Connection finish



Turn on the valve

Model: MK99

STEP 3 : CHECK FOR LEAKS AND FLUSH THE FILTER



1. Turn on the water supply to check for leaks
2. Flush the filter for 5 minutes before use

6. FILTER REPLACEMENT INSTRUCTIONS

STEP 1: Twist the housing anti-clockwise;

STEP 2: Using wrench to unscrew the housing body;

STEP 3: Take out the old cartridge and load with new one, then install back in the same way.



NOTE

With the AUTO Shut off design of the system, you don't need to shut off the water supply when doing the replacement.



WARNING

Please keep the wrench always

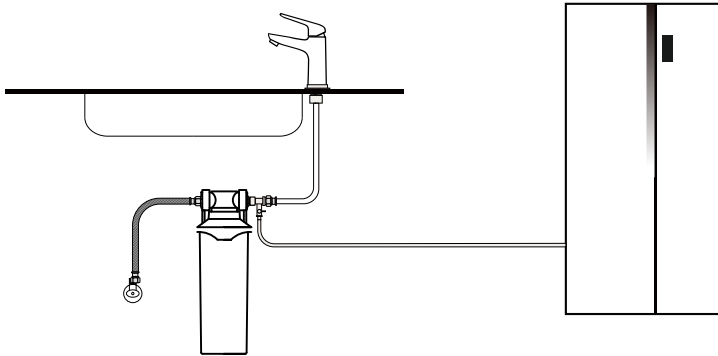
7.HOOK UP TO YOUR REFRIGERATOR

The MK99 under sink water filter system can be connected with your refrigerator/Ice-maker by utilizing an extra IMC-2 ice maker connection kit (not included).

Simply search **"Frizzlife IMC-2"** or Asin# **"B07RBMLR26"** on Amazon, or scan the QR code to purchase.



Model: MK99



PERFORMANCE DATA

Substance	Influent challenge concentration (mg/L)	Maximum permissible product water concentration (mg/L)
Chlorine	2.0 mg/L \pm 10%	\geq 50%
Particulate, Class I Particles 0.5 to $<1\mu\text{m}$	At least 10,000 particles/mL	\geq 85%
Lead	0.15 \pm 10%	0.010
Cyst	Min. 50,000/L	99.95%

8. TROUBLE SHOOTING

1. Leaks at the threaded connection: if once the system leaks after installation, please use plumber tapes properly on the threaded fitting to prevent leakage.
2. PPM is not dropping while tested by TDS meter: Frizzlife MK99 has a unique technology that removes 99.99% of contaminants while leaving all the essential minerals in water such as Calcium, Potassium, Sodium, Magnesium ect. All healthy water has a certain level of total dissolved solids. They are essential minerals. The TDS meters are not an effective way to measure the water quality. The water without TDS is normally produced by reverse osmosis system.

9. LIMITED WARRANTY

Model: MK99 Undersink Water Filter System

| Warrantor: FRIZZLIFE INC

ONE YEAR LIMITED FRIZZLIFE WARRANTY

The Frizzlife MK99 undersink reverse osmosis units are warranted to the original purchaser. To be free of defects in material and workmanship by Frizzlife INC, Frizzlife will replace or repair components of the unit that Frizzlife has deemed to be broken within the limits of the warranty without charge. The customer is not responsible for any freight involved with shipping the item back for inspection and shipment of replacement items. Frizzlife is not liable for cost of removal, installation, transportation or any other charges in connection with a warranty claim.

Model: MK99

1. Frizzlife is not liable for anything that we deem as abuse of the units, including but not limited to, misuse of product outside of intended use, equipment modifications, unauthorized repairs, improper installation, damage from freezing, hot water, fire or other acts of God outside of Frizzlife control.

This warranty will be void if defects occur due to failure to observe the following conditions:

- ▶ Incoming water to the the system cannot exceed 100°F.
 - ▶ Do not use outdoors or in a location that is subjected to direct sunlight or freezing. This warranty will not be effective unless and until the Frizzlife is shown to have been used in accordance with the installation and maintenance instructions accompanying the product.
2. Filter Cartridges are considered as disposable items, thus are not covered by warranty.
 3. Customer is responsible for proper operation, which includes complete and continual leak inspection.
 - ▶ Most of the unit components are made of plastic and eventually can break or crack from stress.
 - ▶ There are no other warranties which extend beyond what is described above. To receive warranty service, please contact Frizzlife at support@frizzlife.com

Owner' s Warranty Responsibility:

As a condition of this Limited Warranty, the owner must ensure that periodic maintenance of the system is performed as described in the literature enclosed with the system. Should your unit develop a defect or otherwise fail to perform in accordance with this warranty, you should contact the retailer from whom the product was originally purchased.



NOTE

IN CASE SOME STATES DO NOT ALLOW LIMITATIONS ON HOW LONG AND IMPLIED WARRANTY LASTS, YOU MAY CHOOSE TO RETURN THE SYSTEM. IF YOU CHOOSE TO KEEP IT, YOU AGREE THAT THE ABOVE LIMITATIONS STILL APPLY TO YOU.

150% Extended Warranty

1. Email us your order ID and full name at support@frizzlife.com
2. Scan the QR code below to register

