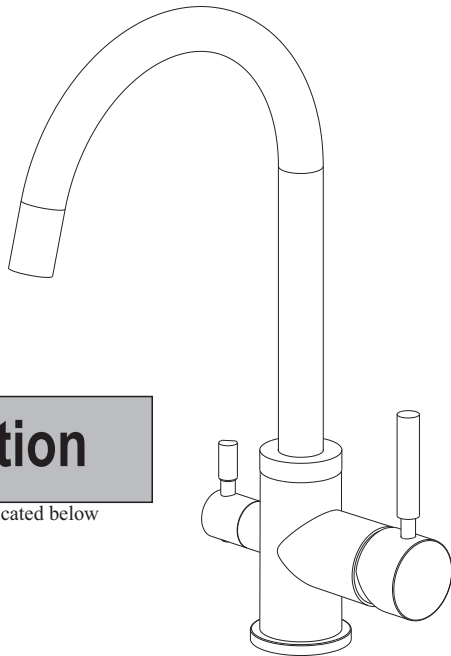


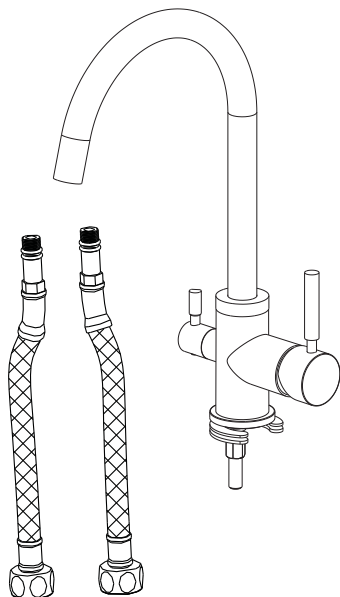
Installation Instruction

Three Flow Kitchen Faucet

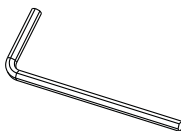


Before your installation

please check to make sure you have the following parts indicated below



Tools you will need



Allen wrench (2.5mm)



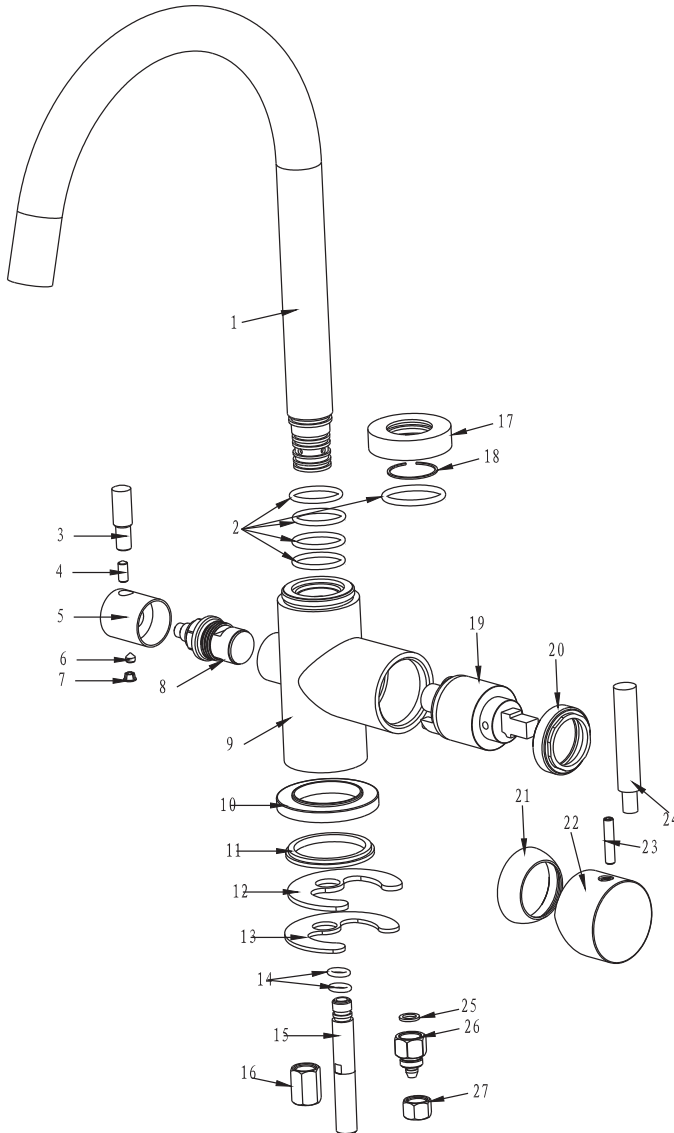
Pipe tape



Monkey wrench

Replacement parts

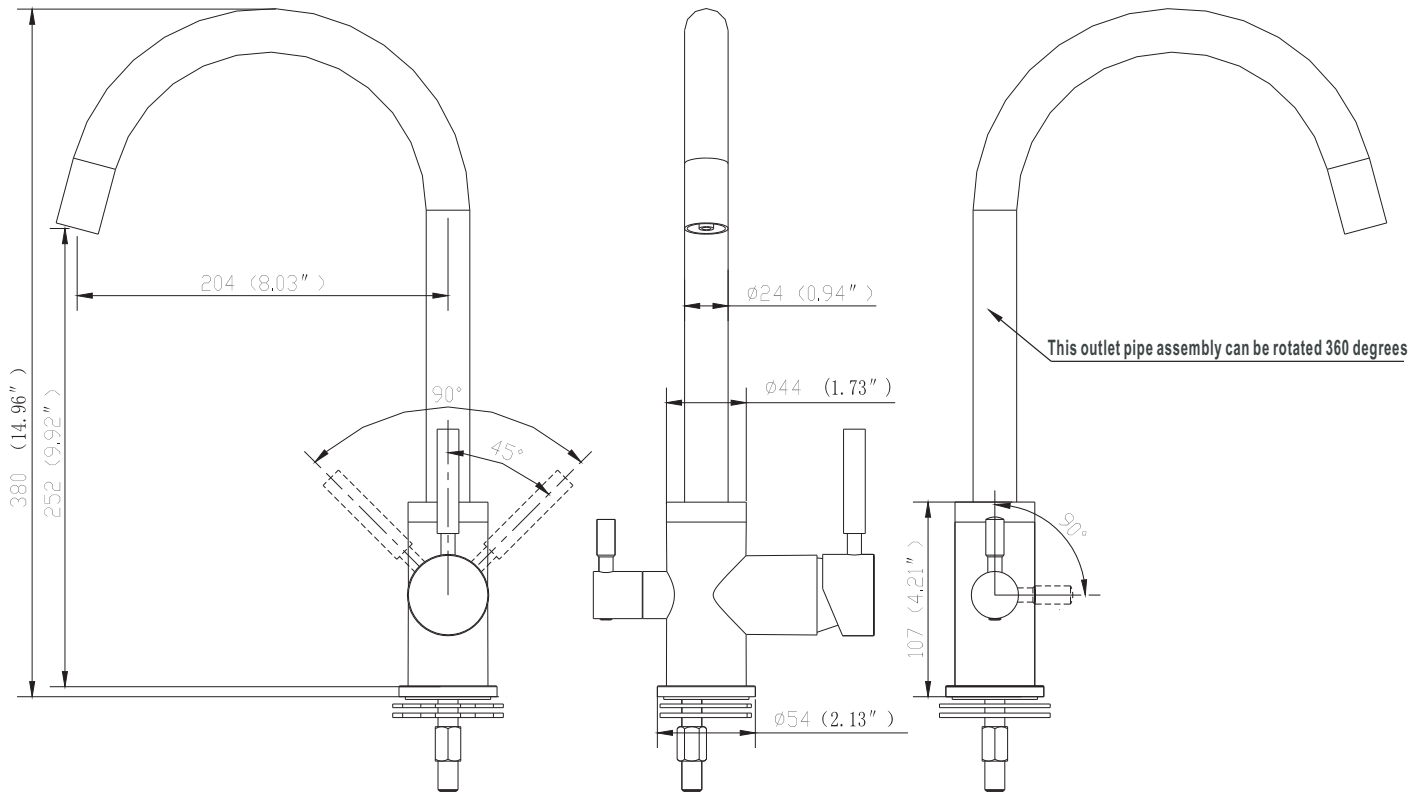
Keep this manual for ordering replacement parts



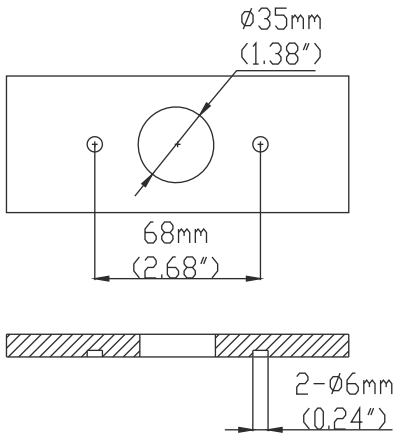
NO NAME

1. Spout assembly
2. O-ring
3. Handle knob
4. Screw
5. Handle
6. Locking screw
7. Handle plugs
8. Cartridge
9. Faucet body
10. Index
11. Rubber pad
12. Rubber pad
13. Stainless steel gasket
14. O-ring
15. Inlet pipe
16. Nut
17. Copper sleeve
18. Gasket
19. Cartridge
20. Cartridge platen
21. Head cover
22. Handle body
23. Screw
24. Handle knob
25. Flat washers
26. Flat washers
27. Locking nut

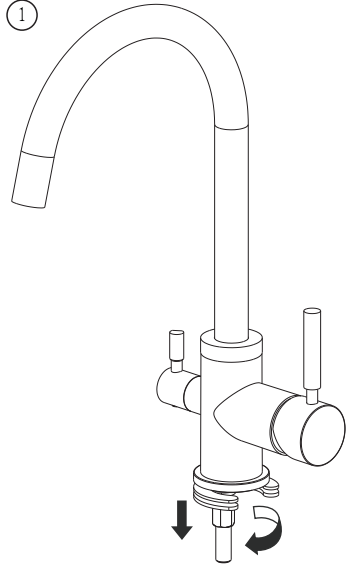
Product Dimension Drawing



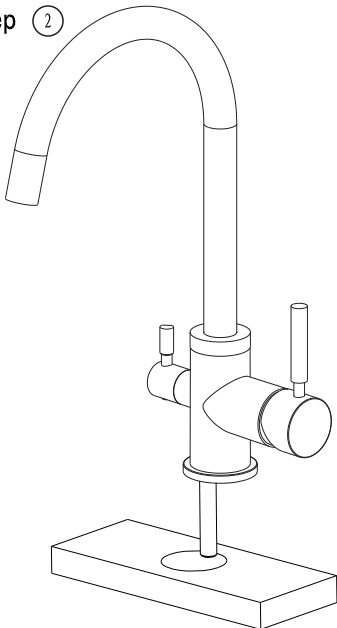
Faucet Installation Procedures



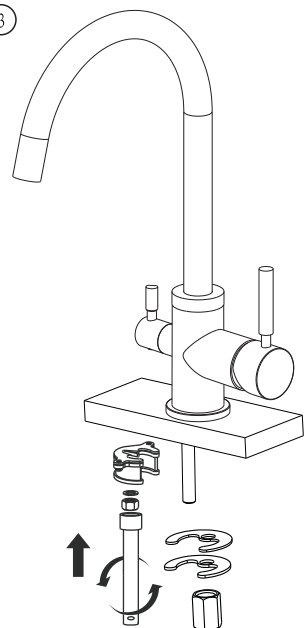
Step ①



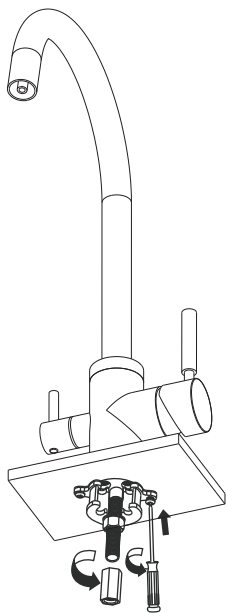
Step ②



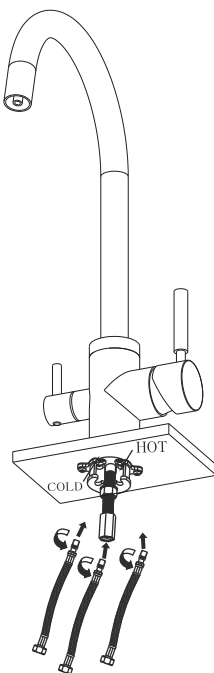
Step ③



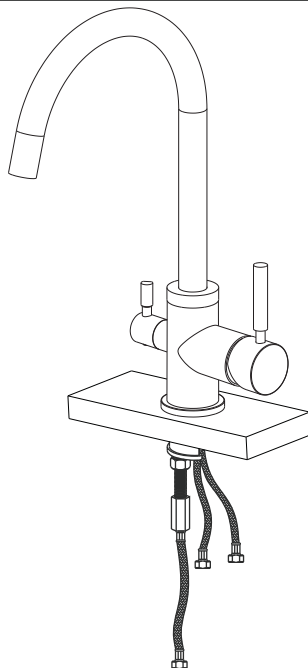
Step ④



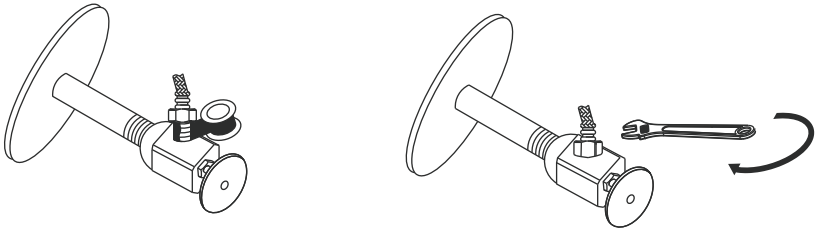
Step ⑤



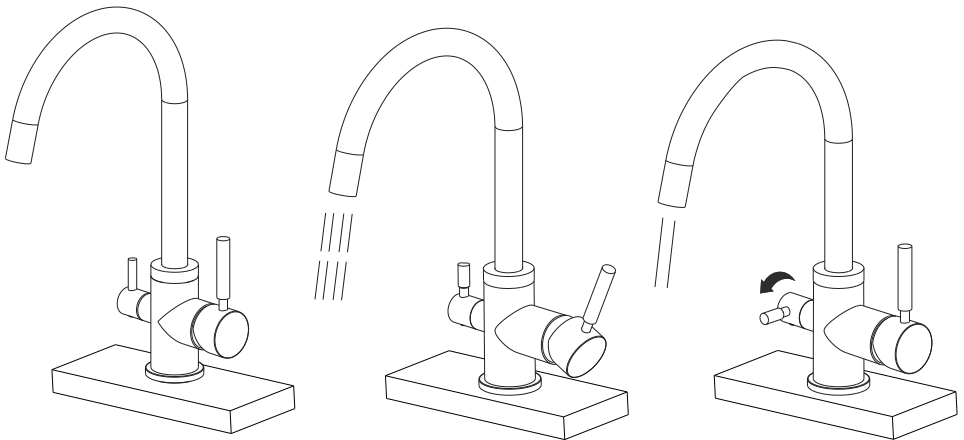
Step ⑥



Step ⑦



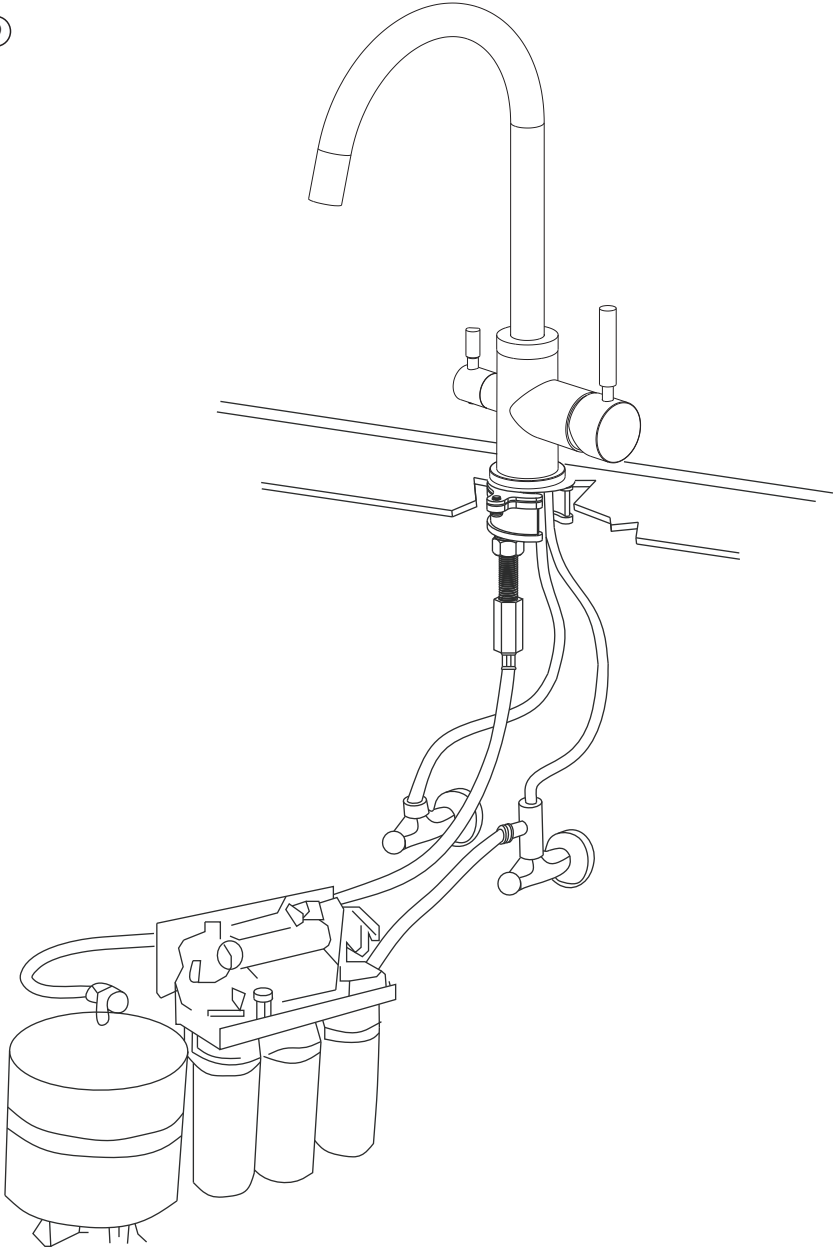
Step ⑧



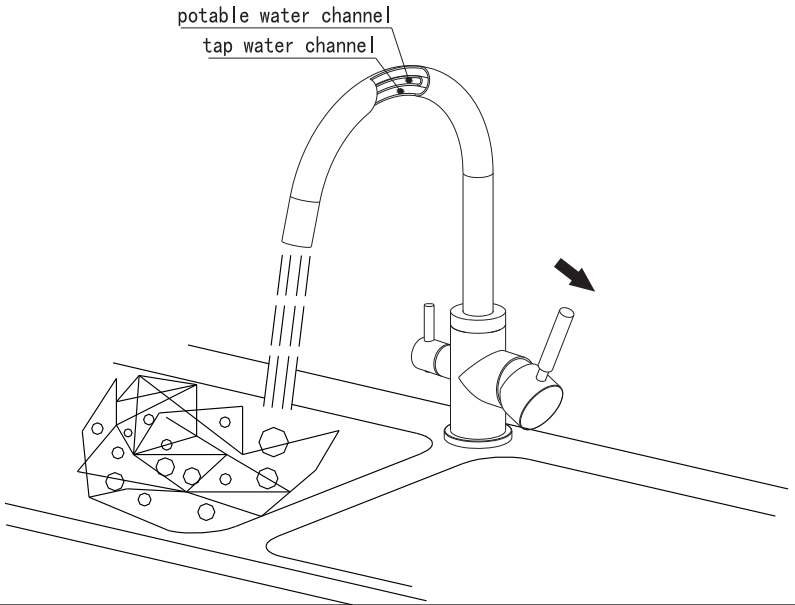
Notice:

Please removing all of the sand,silt and other things from the water hose before assembling,to avoid blocking the faucet and effecting water rate. Please use the special tools to disassemble it and wash with pneumatic equipment,ifthe faucet blocked.

Step ⑨



Step ⑩



Step ⑪

